

OptiPoint™ BACnet Standard Thermostats

24 Vac Models: TB-24-A, TB-24-HM-A

Automated Logic® OptiPoint™ BACnet Standard Thermostats feature a LCD display and intuitive push-button interface, allowing occupants to easily control their comfort. These thermostats offer control of a building's heating, ventilating and air-conditioning (HVAC) system from inside a facility, or from any BACnet-compliant building management system (BMS), including ALC's powerful WebCTRL® building automation system.



Key Features and Benefits

Equipment Compatibility

- Fan Coils
- Heat Pumps
- Rooftop Units
- Unit Heaters
- Chilled Beams

Supported Applications

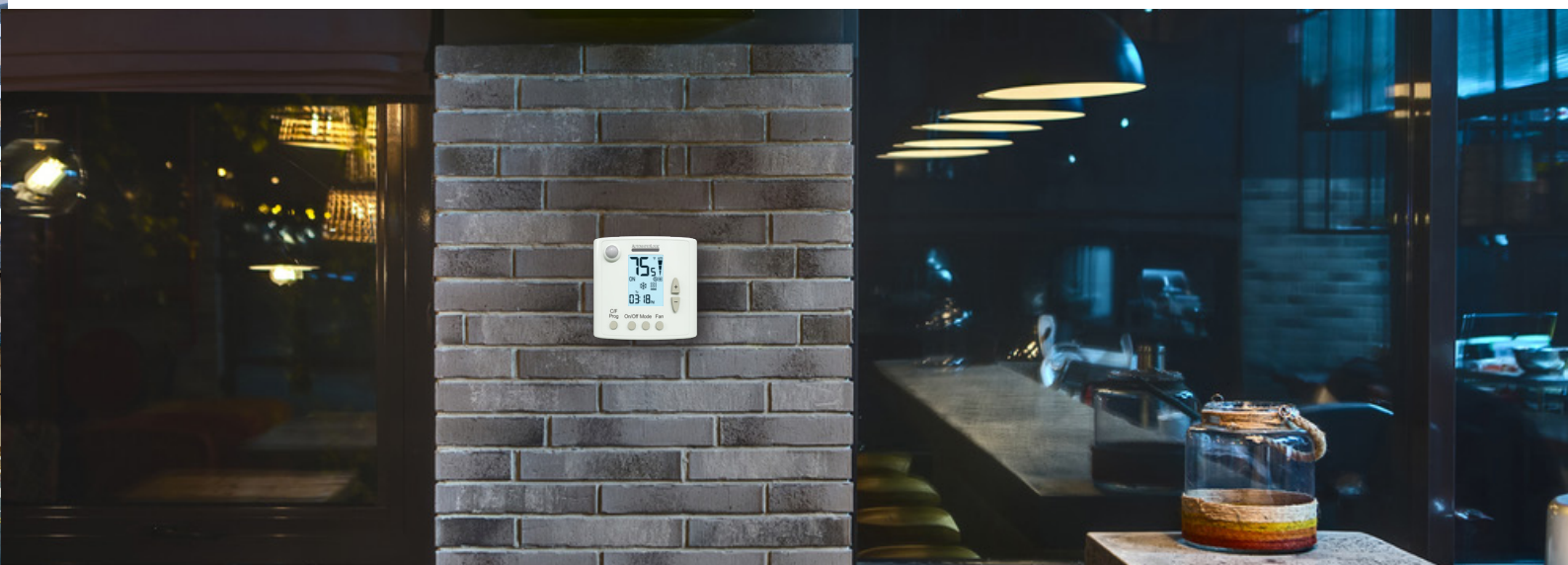
Automated Logic OptiPoint BACnet Plus Thermostats have 2 universal inputs, 2 universal outputs and 4 digital outputs and can be configured to support a variety of applications.

- Up to 3 stages of heat / 2 stages of cool
- 2 pipe / 4 pipe cooling / heating valves (0-10V)
- Humidifier (0-10V) / Reheat (dehumidify)
- Economizer (open/close)
- Up to 3 fan speeds
- Reversing valve
- VFD (0-10V)

Sensing Options

- Temperature only
- Temperature, relative humidity and motion

Part Number	Sensing	Power
TB-24-A	Temperature	24 Vac
TB-24-HM-A	Temperature, Humidity and Motion (PIR)	24 Vac

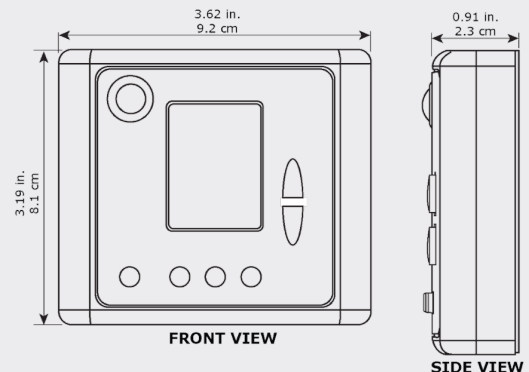


OptiPoint™ BACnet Standard Thermostats

Specifications

24 Vac Models: TB-24-A, TB-24-HM-A

Power Requirements	24 Vac ±15%: 4VA unit, 76 VA full load		
Communication	BACnet MS/TP with baud rates up to 76.8 kbps, detected and set automatically by the BACnet Thermostat. Max 127 devices.		
Real-Time Clock	Real-time clock keeps track of time in the event of a power failure for up to 7 days.		
Display	LCD, °F or °C Selectable		
Sensing Element	Range	Accuracy	
	Temperature	41°F to 95°F (5°C to 35°C)	±1.0° F (0.5°C)
	Humidity	10% to 90 %	±3.0% typical
	Motion Sensing	Sensor Type: PIR, quad, omnidirectional Distance:16.4 feet (5m) Detection range: (HxV) 90° x 30° Movement speed: 2.62 to 3.94 ft/s (0.8 to 1.2 m/s) Detection object:15.75 x 9.84 in. (400 x 250 mm)	
Inputs	T1, 0 – Normally open or normally closed dry contract, or 0-10 Vdc analog input, or 50 kOhm thermistor @ 25°C		
	A, B – Communication +/- (RS485)		
	In1, 0 – Normally open or Normally closed dry contract, or 0-10 Vdc analog input, or 50 kOhm thermistor @ 25°C		
Outputs	C, R – Power: 24 Vac		
	11, 12, 13 – Digital outputs, 3A		
	14 – Digital outputs 0.3A 15, 16 – Digital Output 0.3A or Analog output 0-10 Vdc, 5 mA max.,not isolated		
Environmental Operating Range	50° to 122°F (10° to 50°C), 10 to 90% relative humidity, non-condensing		
Physical	Fire-retardant plastic ABS, UL94V-0		
Mounting	Wall mount on a standard 4" x 2" electrical box using provided 6/32 x 1/2" mounting screws		
Weight	4.8 oz (0.14 kg)		
Compliance	United States of America: FCC CFR47, Chapter 1, Subchapter A, Part 15, Class B		
	Canada: Industry Canada Compliant, ICES-003, Class B		
	Europe: Mark Low Voltage Directive: 2014/35/EU RoHS Compliant: 2011/65/EU		
	Australia and New Zealand: C-Tick Mark, AS/NZS 61000-6-3		
	CA Prop 65 Warning: This product can expose you to chemicals including Styrene and 1,3 – Propane sultone, which are known to the State of California to cause cancer. Go to www.p65warnings.ca.gov		



All trademarks used herein are the property of their respective owners.

1150 Roberts Boulevard, Kennesaw, Georgia 30144
770-429-3000 Fax 770-429-3001 | www.automatedlogic.com

AUTOMATEDLOGIC
United Technologies

WE MAKE BUILDINGS BETTER.

Next level building automation engineered to help you make smart decisions.