

Immersion Temperature Sensors



Accessory for HVAC/R

Automated Logic's Immersion Temperature Sensors are available in 2", 4", and 8" probe lengths. The sensor is potted inside a 1/4" stainless steel probe with thermally conductive epoxy. All Immersion Units have etched Teflon leadwires and double encapsulated sensors to create a watertight package that can withstand high humidity and condensation.

Immersion Units come standard with a 2"x4" steel J-Box or a nylon and ABS plastic BAPI-Box 4 enclosure. They are also available with a watertight BAPI-Box or BAPI-Box 2 enclosure.

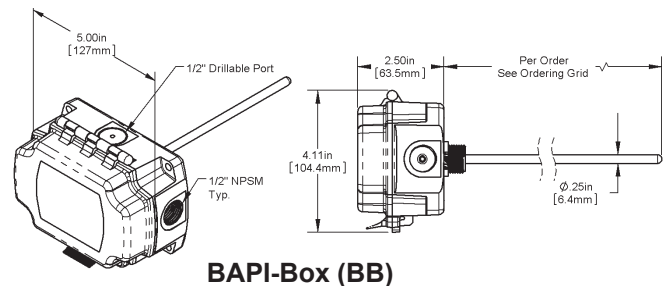
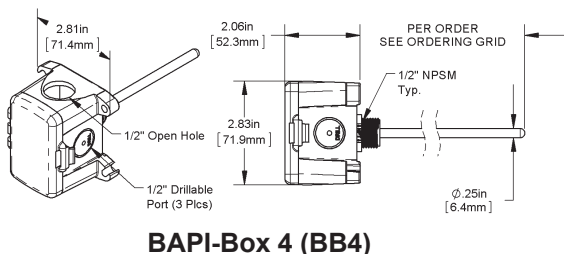
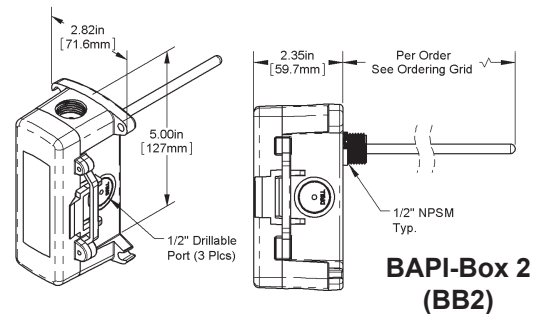
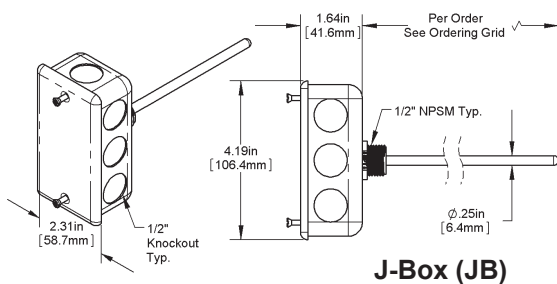
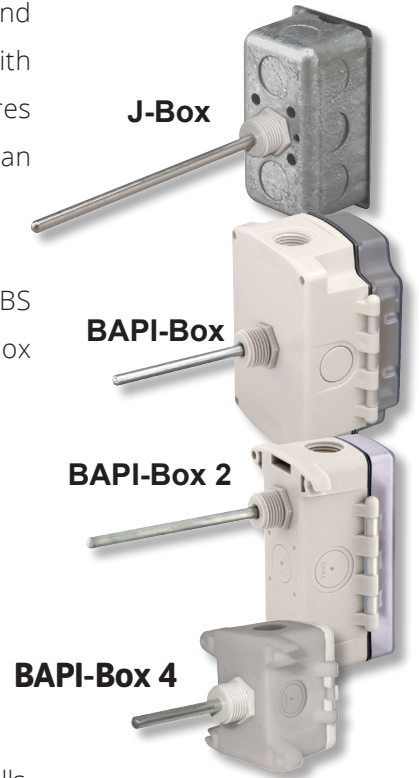
Features

- 2", 4" & 8" Probe Lengths: (fit our standard Thermowells)
- Series 304 SS Probes & Double Encapsulated Sensors
- Optional BAPI-Box or BAPI-Box 2 Enclosure

Thermowells



Probes are designed to be inserted into a Thermowell. Thermowells are available in lengths to match our Immersion Probe Lengths.



Immersion Temperature Sensors

Specifications

Environmental Operation Range:

Temperature Sensor:

- J-Box: -40 °C to 100 °C
- BAPI Box: -40 °C to 85 °C
- Humidity: 0 to 100%, non-condensing

10K-2 Thermistor Sensor:

- Resistance: 10 kΩ @ 25°C, -55 to 150°C range
- Standard Accuracy: 0.2°C (±0.36°F) at 0 to 70°C
- Dissipation Constant: 2.7 mW/°C
- Stability(drift): Less than ±0.1°C (0.18°F) drift over 10 years

Enclosure Material:

- BAPI-Box: Polycarbonate, UL94, V-0
- BAPI-Box 2: Polycarbonate, UL94, V-0
- BAPI-Box 4: Nylon & ABS Plastic, UL94, V-0
- J-Box Model: Galv. Steel

Enclosure Rating:

- BAPI-Box or BAPI-Box 2: IP66, NEMA 4
- BAPI-Box 4 Model: IP10 (IP44 with Knockout Plug)
- J-Box Model: IP20, NEMA 1

Part Number	Description
NSB-10K-2-I-2-A	IMMERSION TEMPERATURE SENSOR - J-BOX - 2 IN. PROBE NO LOGO - ALC
NSB-10K-2-I-2-BB2-A	IMMERSION TEMP SENSOR - BB2 ENCLOSURE - 2 IN. PROBE LOGO - ALC
NSB-10K-2-I-2-BB2-M304-A	IMMERSION TEMP SENSOR - BB2 ENC - 2 IN. - 304 SS WELL LOGO - ALC
NSB-10K-2-I-2-BB4-A	IMMERSION TEMP SENSOR - BB4 ENC - 2 IN. PROBE LOGO - ALC
NSB-10K-2-I-2-M304-A	IMMERSION TEMP SENSOR - J-BOX - 2 IN. - 304 SS WELL NO LOGO - ALC
NSB-10K-2-I-4-A	IMMERSION TEMP SENSOR - J-BOX ENC - 4 IN. -NO LOGO - ALC
NSB-10K-2-I-4-BB2-A	IMMERSION TEMP SENSOR - BB2 ENC - 4 IN. - C28 LOGO - ALC
NSB-10K-2-I-4-BB2-M304-A	IMMERSION TEMP SENSOR - BB2 ENC - 4 IN. - 304 SS WELL LOGO - ALC
NSB-10K-2-I-4-BB4-A	IMMERSION TEMP SENSOR - BB4 ENC - 4 IN. PROBE LOGO - ALC
NSB-10K-2-I-4-M304-A	IMMERSION TEMP SENSOR - J-BOX - 4 IN. 304 SS WELL NO LOGO - ALC
NSB-10K-2-I-8-A	IMMERSION TEMP SENSOR - J-BOX ENC - 8 IN. -NO LOGO - ALC
NSB-10K-2-I-8-BB2-A	IMMERSION TEMP SENSOR - BB2 ENC - 8 IN. - C28 LOGO - ALC
NSB-10K-2-I-8-BB2-M304-A	IMMERSION TEMP SENSOR - BB2 ENC - 8 IN. - 304 SS WELL LOGO - ALC
NSB-10K-2-I-8-BB4-A	IMMERSION TEMP SENSOR - BB4 ENC - 8 IN. PROBE LOGO - ALC
NSB-10K-2-I-8-M304-A	IMMERSION TEMP SENSOR - J-BOX - 8 IN. 304 SS WELL NO LOGO - ALC

1150 Roberts Boulevard, Kennesaw, Georgia 30144
770-429-3000 Fax 770-429-3001 | www.automatedlogic.com

Automated
Logic