

# BACview<sup>5</sup> and BACview<sup>6</sup>

Ideal for Small Facilities or Local Access



BACview<sup>®</sup> is an easy-to-use operator display for managing a small facility or providing local access to Automated Logic controllers and their operational properties. It simply plugs into the module's Rnet port allowing you to display and modify controller data locally without any computer software. The BACview panel can be located up to 500 ft. from the control panel using standard cable. BACview Handheld comes equipped with a 6-ft. cable and plug that easily connects to Automated Logic controllers and RS room sensors.

BACview lets you customize the building properties for each project using industry standard HTML. Data from the controller is delivered to a backlit LCD display with access being password protected if needed.

BACview connects to the Rnet port of ME, SE or WebZONE control modules and can share the Rnet with up to five RS sensors. BACview<sup>5</sup> offers a 2 line by 16 character backlit display and menu direction buttons to simply review and modify pertinent data. BACview<sup>6</sup> features a numeric keypad, directional keys and four programmable function keys. It also has a large 4 line by 40 character backlit LCD. Both devices include an alarm indicator light and audible warning.

## Key Features and Benefits

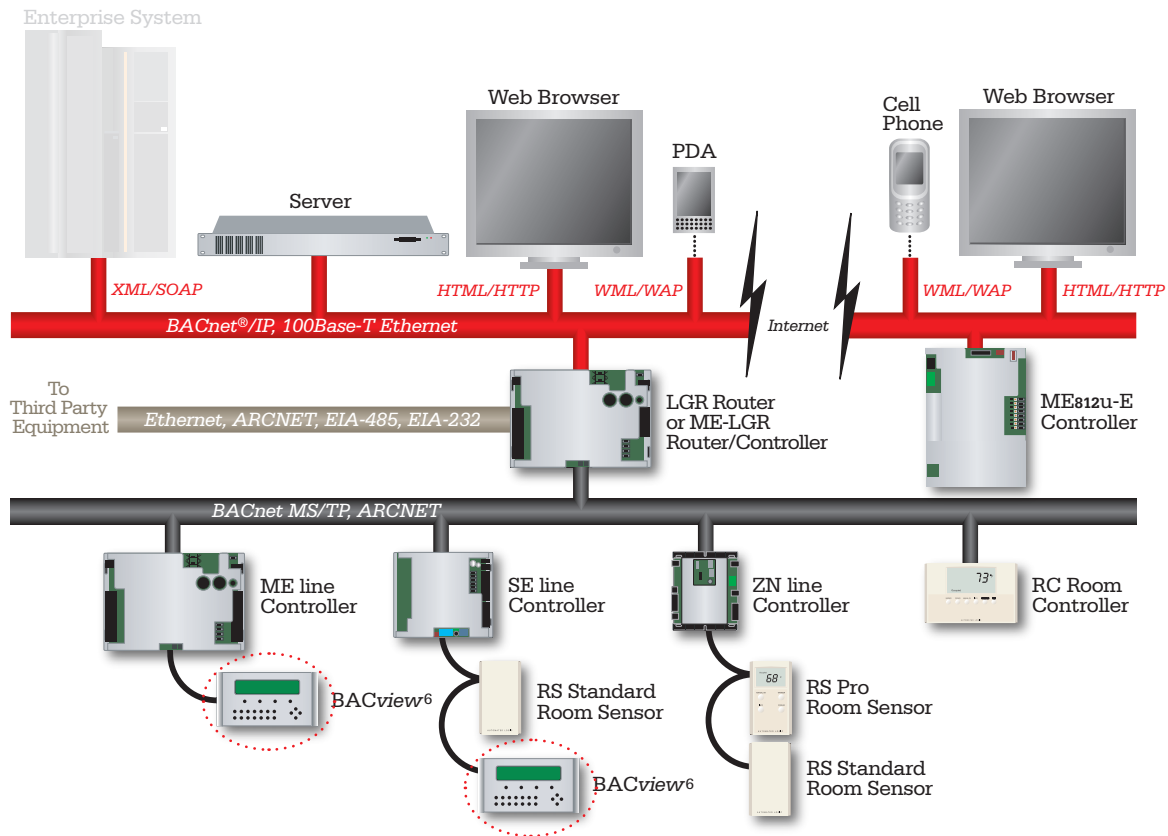
- Simple to use local access panel - compatible with ME, SE and WebZONE controllers.
- Can be remotely mounted (up to 500') and can share Rnet with RS sensors.
- Backlit LCD display enhances reading, even in poor lighting conditions.
- Industry-standard Hypertext Markup Language (HTML) simplifies custom displays and menus.
- Password protection provides security.
- Flexible design allows panel or wall mounting.

**AUTOMATEDLOGIC**<sup>®</sup>  
CORPORATION

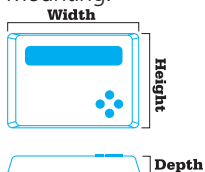
1150 Roberts Boulevard  
Kennesaw, Georgia 30144  
770/429-3000  
Fax 770/429-3001  
www.automatedlogic.com

# BACview<sup>5</sup> and BACview<sup>6</sup>

## Specifications



Power:	Supplied by 4 conductor cable (+12 V-dc @ 250ma).
Software Requirements:	HTML screen files can be customized and must be transferred into the control module connected to the BACview.
Backlit LCD Display:	BACview <sup>5</sup> features a 2 line by 16 character display. BACview <sup>6</sup> features a 4 line by 40 character display.
Hardware Compatibility:	BACview is compatible with SE and ME line modules.
Environmental Operating Range:	32° - 120°F (0.0° to 48.9°C), 10-95% RH non-condensing.
Protection:	Provides 15KV ESD protection to the enclosure.
Listed by:	UL916, FCC Part 15 - Subpart B - Class A, CE EN50082-1997.
Weight:	BACview <sup>5</sup> : 0.5 lbs. (0.23 Kg), BACview <sup>6</sup> : 1.2 lb. (0.54 Kg).
Mounting:	BACview <sup>5</sup> and BACview <sup>6</sup> : Wall or panel mounting. Remote mounting up to 500 ft. via 18 AWG cable terminated to a 4 position pluggable terminal. Standard 'J' box may be used. BACview <sup>6</sup> Handheld: Non-skid rubber base for setting on a work surface or hold in hand. Built-in 6-ft. cable with terminal for temporary connection to ME line, SE line, Room Controller and Equipment Portal.



Dimensions:	BACview <sup>5</sup> : 5-3/8" (width) by 4-7/16" (height) by 1" (depth). 37mm (width) by 113mm (height) by 25mm (depth)
	BACview <sup>6</sup> : 9-5/8" (width) by 4-15/16" (height) by 1" (depth). 245mm (width) by 125mm (height) by 25mm (depth).

Automated Logic Corporation . 1150 Roberts Boulevard . Kennesaw, Georgia 30144 . 770/429-3000 . Fax 770/429-3001 . www.automatedlogic.com

© 2007, Automated Logic Corporation. Automated Logic, the Automated Logic logo, BACview and WebCTRL are registered trademarks of Automated Logic Corporation. BACnet is a registered trademark of ASHRAE. All other trademarks are the property of their respective owners. Specifications are subject to change without prior notice.

CSBACVIEW6rev5

