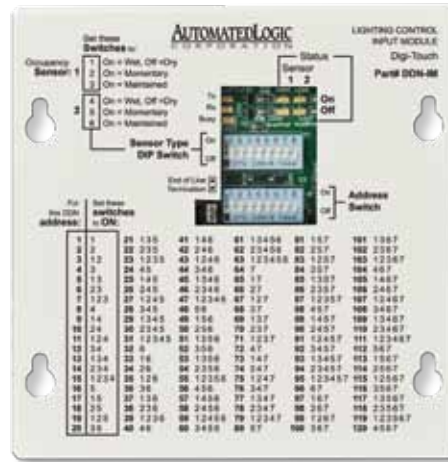


Digi-Touch®

Digital Device Network



Digi-Touch Switches



Digi-Touch Digital Device Module

Automated Logic's Digi-Touch® Network dramatically reduces installation and wiring costs of field input devices, while increasing functionality of lighting switches. The Digi-Touch Network allows addressable Digi-Touch wall switches and Digi-Touch Input Modules to communicate with the LC series of Lighting Control Panels.

The Digi-Touch Input Module accommodates non-addressable field devices such as motion sensors and traditional wall switches and allows them to reside on the Digi-Touch Network.

Key Features and Benefits

Digi-Touch Switches

- Industry standard Decora® style.
- Increased switching options for more flexible local control.
- Removable clear cap allows for labeling.
- Two-color LED indicates switch status.
- Removable terminal blocks simplify installation.
- Dip switch settings allow unique addressing for each device.
- Reduced installation costs with common network.

Digi-Touch Input Module

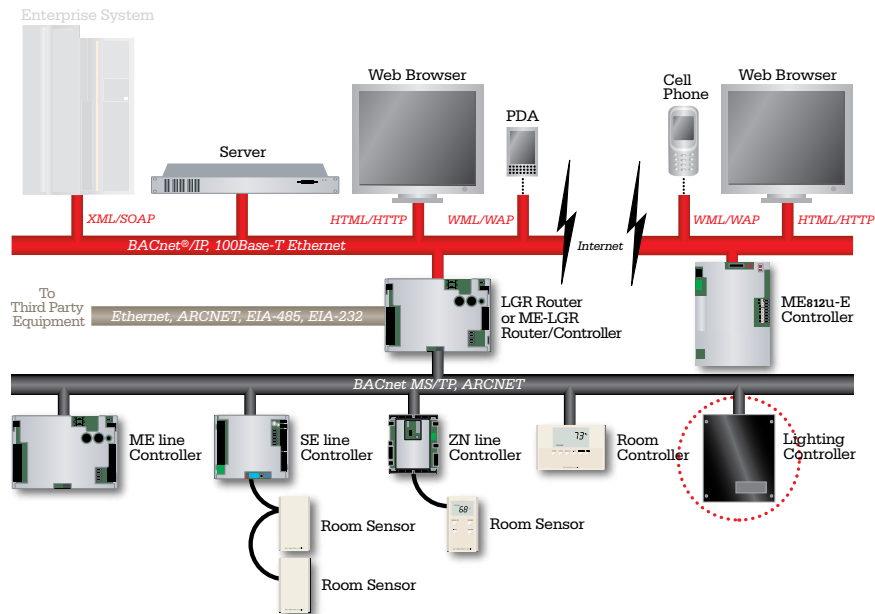
- Provides digital addressing allowing the use of non-addressable inputs on the Digi-Touch Network.

AUTOMATEDLOGIC®
CORPORATION

1150 Roberts Boulevard
Kennesaw, Georgia 30144
770/429-3000
Fax 770/429-3001
www.automatedlogic.com

Digi-Touch®

Specifications



Digi-Touch Switch

Power:	24 Vdc at 36 mA supplied by LX6 or external power supply.
Environmental Operating Range:	32 to 125°F (0 to 52°C) 20-95% relative humidity, non-condensing.
Communication Status Indicators:	LED's on the switch's board indicate network communication status.
Dimensions:	Width: 1.5 in. (3.81 cm) Height: 4 in. (10.16 cm) Depth: 1.5 in. (3.81 cm)
Mounting:	Mounts in a standard single electrical box.

Digi-Touch Wiring

Communications Cable:	Single twisted pair, low capacitance (12pF), CL2P, 22 AWG (7x30), TC foam FEP, plenum rated cable.
Network Topology:	Daisy-chain only.
Power Cable:	18 AWG, plenum-rated, 2-conductor.

Digi-Touch Input Module

Power:	24 Vdc at 20 mA supplied by an external power supply.
Environmental Operating Range:	32 to 125°F (0 to 52°C) 20-95% relative humidity, non-condensing.
Mounting:	Fits standard 4" junction box.
Status Indicators:	TX, RX, and BUSY LED's indicate network communication status.
Dimensions:	Width: 4.88 in. (12.4 cm) Height: 4.88 in. (12.4 cm) Depth: .75 in. (1.9 cm)

