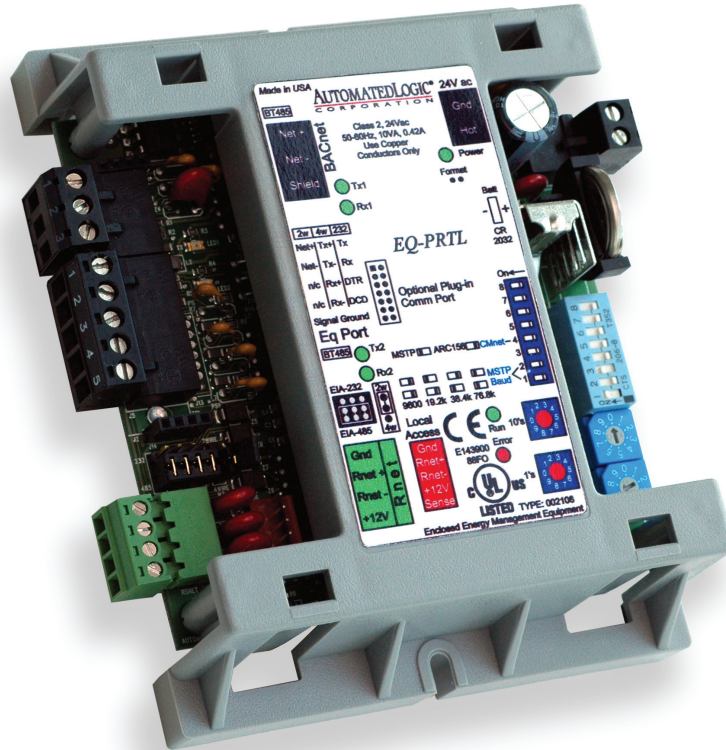


Equipment Portal



Automated Logic's Equipment Portal (EQ-PRTL) sets a new standard for integrating other manufacturers' equipment into WebCTRL®. EQ-PRTL is a powerful gateway to a single piece of equipment /device using proprietary or open protocols such as Modbus and LonWorks. Support for BACnet® over ARCNET 156 kbps and MS/Tp communications are standard.

Key Features and Benefits

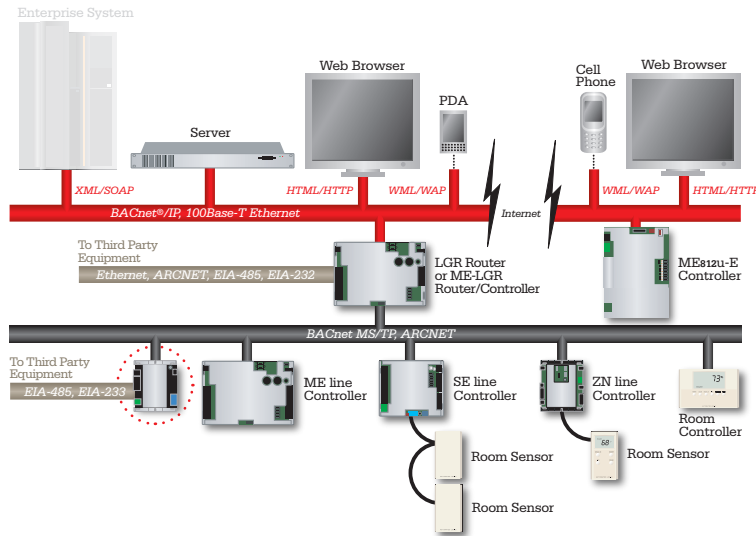
- Serves as an economical field gateway to a single piece of equipment/device utilizing an open or proprietary protocol. (Note: Maximum of 100 integration points per EQ-PRTL.)
- Optional Lon Plug-in Card eliminates need for Lon SLTA when integrating to Lon devices.
- Graphically programmable via EIKON®, EQ-PRTL is able to execute complex integration control strategies at the field level.
- Built-in support for Automated Logic's line of backlit LCD display/keypad (BACview) provides the option of installing a local user interface for monitoring and control.
- Built-in support for Automated Logic's line of RS room sensors provides the flexibility of remote room temperature sensing.
- Battery backed real-time clock ensures full continuity of operation in the event of power failures and communications failures.
- Non-volatile, battery-backed RAM stores application programs, trends, and other data if power is lost.
- Flash memory makes for easy field upgrades over network.
- 16 bit microprocessor combined with ARCNET 156 kbps communications offers ample horsepower and speed for equipment integration requirements.

AUTOMATEDLOGIC
CORPORATION

1150 Roberts Boulevard
Kennesaw, Georgia 30144
770/429-3000
Fax 770/429-3001
www.automatedlogic.com

Equipment Portal

Specifications



BACnet Support:	Conforms to the BACnet Application Controller (B-AAC) Standard Device as defined in BACnet 135-2001 Annex L.
Communication:	The following ports are available: - BMS Port: EIA-485 port jumper configurable as ARCNET 156 kbps or MS/TP (9600 bps – 78.6 kbps) - Equipment Port: EIA-232/EIA-485 software configurable - Optional Lon Port for using LonWorks communications plug-in device - Local Computer Access Port for startup and troubleshooting - R-net Port for support of RS Sensors and BACview local interface
Microprocessor:	High speed 16 bit microprocessor with one ARCNET communication co-processor.
Memory:	1M Byte non-volatile battery backed RAM, 1M Byte flash memory, 16 bit memory bus. (Shelf life of battery is 10 years with 10,000 hours of continuous operation).
Real-time Clock:	Battery-backed real-time clock.
Status Indicators:	Visual (LED) status of power, network communication, running, and errors.
Module Addressing:	Rotary dip switches.
Protection:	Built-in surge and transient protection circuitry - internal solid state resettable fuses on the incoming power and network connections.
Listings:	FCC, UL, cUL, and CE.
Environmental Operating Range:	-22° to 150°F (-30° to 65.5°C); 10 to 95% relative humidity, non-condensing.
Power Requirements:	24V-ac ± 15% (20.4V-ac to 27.6V-ac), 50 to 60Hz, 10VA power consumption (single Class 2 source only, 20VA or less)
Physical:	Rugged GE C2950 Cylcoloy plastic.
Weight:	9 oz.
Dimensions:	4" (width) by 5" (height) by 1.75" (LON option card mounts in a separate 3.5" x 3.25" snap track). 102mm (width) by 127mm (height) by 45.5mm (recommended panel depth, add 19mm for the option card).
Mounting:	2" (width) by 4.8" (height) 51mm (width) by 122 mm (height).

