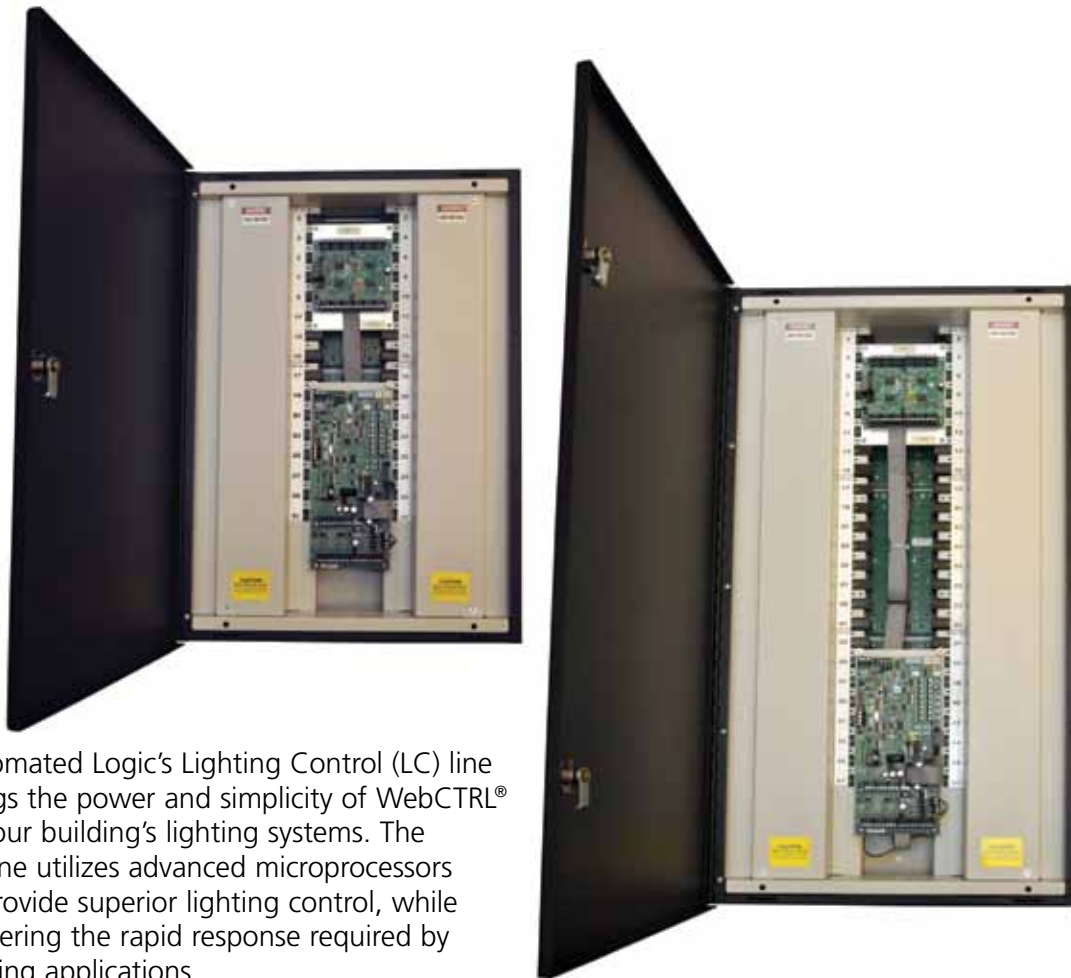


LC16, LC32, LC48, LC64

Powerful Microprocessor-Based Lighting Control Panels



Automated Logic's Lighting Control (LC) line brings the power and simplicity of WebCTRL® to your building's lighting systems. The LC line utilizes advanced microprocessors to provide superior lighting control, while delivering the rapid response required by lighting applications.

Key Features and Benefits

- Designed for inclusion of lighting into building-wide energy management strategies.
- Native BACnet communications allows instant response to system activity.
- Available in four (4) configurable sizes; 16, 32, 48, and 64 circuit capacities, to meet a broad range of application needs.
- Provides installation versatility for efficient, cost effective installations:
 - Accommodates up to 60 addressable inputs on a Digital Device Network, or
 - Allows up to 120 hard-wired inputs.
- Each circuit relay has an override lever allowing manual operation.
- Lockable, fully-hinged cabinet door provides easy access.

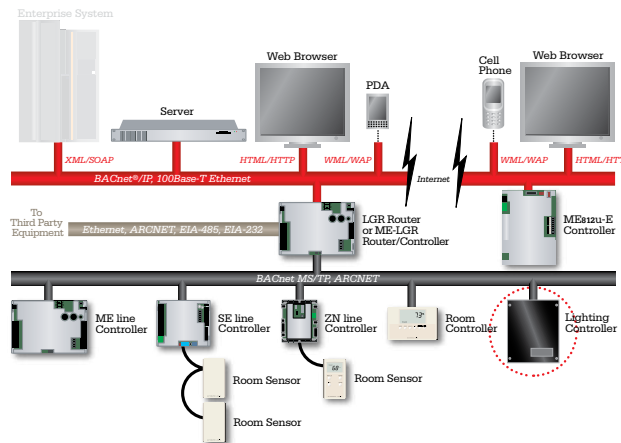
AUTOMATEDLOGIC[®] CORPORATION

1150 Roberts Boulevard
Kennesaw, Georgia 30144
770/429-3000
Fax 770/429-3001
www.automatedlogic.com

CSLCLINErev3

LC16, LC32, LC48, LC64

Specifications



Microprocessor:	High speed 16-bit microprocessor with ARCNET communication co-processor, high speed 2 bit I/O processor:
- Memory:	2 MB non-volatile battery-backed RAM, 1 MB Flash memory, 16-bit memory bus.
- BACnet Support:	Conforms to the Advanced Application Controller (B-AAC) Standard Device Profile as defined in ANSI/ASHRAE Standard 135-2004 (BACnet) Annex L.
- Communication:	EIA-485 port for ARC156 or MS/TP (9600 bps–76.8 kbps). Local Access port for system start-up and troubleshooting. Digital Device Network Port for communication and power to Digi-Touch network.
- Real-time Clock:	Battery-backed real-time clock keeps track of time in event of power failure.
- Battery:	10-year Lithium CR2032 battery provides a minimum of 10,000 hours of data retention during power outages, maintaining the real time clock and BACnet control programs.
- Status Indicators:	LEDs indicate status of communications, running, errors, and power
- Protection:	Internal solid-state polyswitches with auto-reset.
- Power Requirements:	24 Vac \pm 10%, 30 VA.
- Listed by:	UL 916, Std. for Energy Mgmt. Equip. - U.S. and Canada; California Energy Commission Certified Title 24.

Digital Inputs:	24 (expandable to 120) digital inputs for low-voltage devices such as switches and occupancy sensors.
Analog Inputs:	6 inputs for 0–5 Vdc photocells; resolution: 10 bit A/D.
Relay Terminal Capacity:	Each terminal opening can accept one 8 to 14 AWG or two 10 AWG wires, solid or stranded, copper only.
Relay Output Ratings:	20A Tungsten 120 Vac.; 20A Ballast 277 Vac or 347 Vac.; 20A resistive 277 Vac or 347 Vac.
Listed by:	FCC, Part 15, Class A - Radiated and Conducted Emissions.
Environmental Operating Range:	32 to 125° F (0 to 52° C); 20-95% relative humidity, non-condensing.
Physical:	Rugged NEMA 1 metal enclosure with hinged door.

Dimensions/Weight:	Panel	Relay Capacity	Width	Height	Depth	Weight*
	LC16	16	18 in. 45.72 cm	16.45 in. 41.78 cm	5.75 in. 14.61 cm	31 lb.
	LC32	32	18 in. 45.72 cm	25.25 in. 64.14 cm	5.75 in. 14.61 cm	44 lb.
	LC48	48	18 in. 45.72 cm	34.05 in. 86.49 cm	5.75 in. 14.61 cm	58 lb.
	LC64	64	18 in. 45.72 cm	42.85 in. 108.84 cm	5.75 in. 14.61 cm	72 lb.

*Note: Weight is approximate and includes maximum number of LEXPs and relays.

Automated Logic Corporation . 1150 Roberts Boulevard . Kennesaw, Georgia 30144
770/429-3000 . Fax 770/429-3001 . www.automatedlogic.com

© 2010, Automated Logic Corporation. Automated Logic, the Automated Logic logo and WebCTRL are registered trademarks and Environmental Index and EnergyReports are trademarks of Automated Logic Corporation. BACnet is a registered trademark of ASHRAE. All other trademarks are the property of their respective owners. Specifications are subject to change without prior notice.

CSLCLINErev3

CEC Title 24
California
Energy
Commission
Certified

