

ZASF

Optional VAV Accessories for Use with ZN Line Modules



The ZASF is part of a family of control modules designed specifically for VAV terminal box applications.

Key Features and Benefits

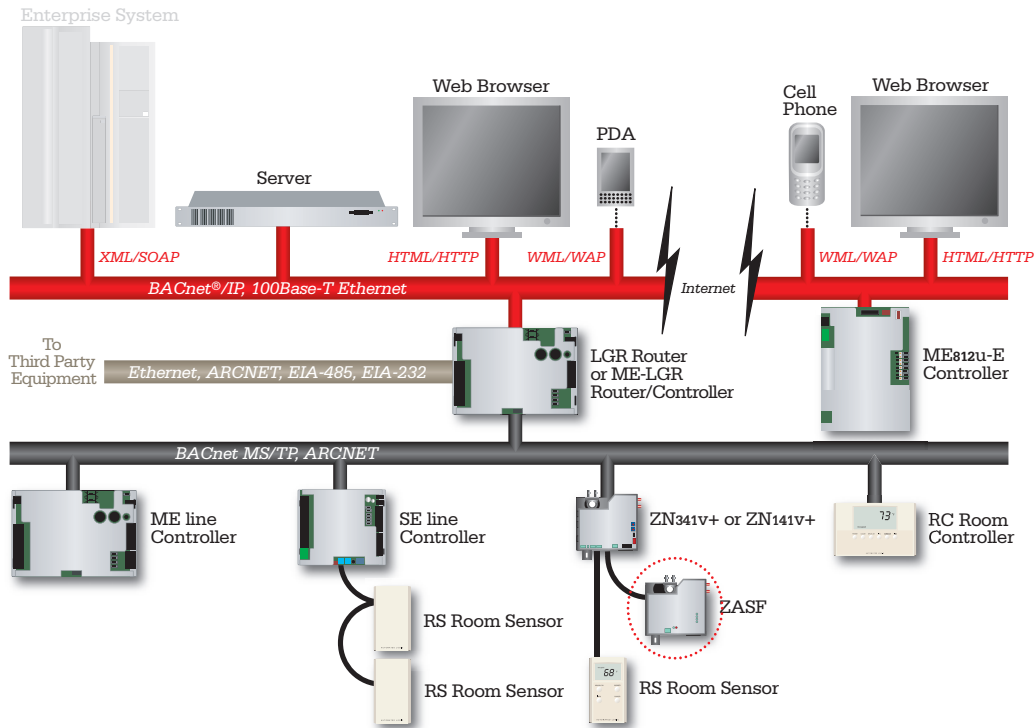
- The ZASF (ZN line Actuator Single Flow), designed to be used with the ZN341v+ and ZN141v+ modules, mounts directly on the secondary VAV damper shaft and provides an integral actuator and a second integrated flow sensor for damper positioning and air-flow sensing in dual duct or tracking systems.
- Integrated precision air flow sensor.
- Connects directly to ZN line modules (no extra power wiring required).
- Easily mounts on the side of a VAV box.

AUTOMATEDLOGIC[®]
CORPORATION

1150 Roberts Boulevard
Kennesaw, Georgia 30144
770/429-3000
Fax 770/429-3001
www.automatedlogic.com

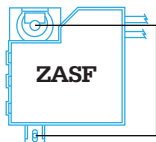
ZASF

Specifications



Integral Air Flow Sensor:	Precision low flow AWM series 0-2" W.C., sensitive down to ± 0.001 " W.C. Barbed tapered air flow connections 3/16" (4.75mm) I.D. tubing.
Integral Actuator:	Brushless DC motor, torque 35 inch-pounds (4Nm), 5 sq.ft. (0.46m ²) maximum damper size. Both the ZN341v+ and ZN141v+ are compatible with the optional ZASF integral air flow sensor/actuator assembly for dual duct and tracking applications.
Protection:	Built-in surge and transient protection circuitry for communications and tracking applications.
Listed by:	UL916 (Canadian Std C22.2 No. 205-M1983), CE, FCC Part 15 – Subpart B – Class A
Environmental Operating Range:	0°F to 130°F (-17.8°C to 54.4°C); 10 to 90% relative humidity, non-condensing.
Power Requirements:	12V-dc @ 250MA, 14 VA (adds 3VA to the requirements of the host ZN341v+ or ZN141v+ module).
Physical:	Rugged GE C2950 Cyclac FR15, UL 94-5VA plenum rated.
Weight:	1 lb. 9 oz. (0.7 kg)

Dimensions:



Mounting hole spacing 5-9/16".

Overall

Width: 6-1/2" (165mm)
 Height: 7" (178mm)
 Depth: 2-1/2" (64mm) min. panel depth

Mounting

One mounting hole as shown at left with 5-5/8" (143mm) spacing (height) from shaft centerline.

